









J MAC EXCAVATORS LTD

EXCAVATOR JME28Z

| | |
|---------------------------------|--------|
| Overall length | 4050mm |
| Overall width | 1540mm |
| Overall height(to top of boom) | 1380mm |
| Overall height(to top of cab) | 2360mm |
| Counter weight ground clearance | 485mm |
| Min. Ground clearance | 255mm |



JME28Z Parameter

|  Engine | |  Travel System | |
|---|-----------------------------|---|---|
| Model | Yanmar 3TNV80F(Euro 5 ,EPA) | Travel motors | LTM03CJ Plunger double speed |
| | | Support roller quantities | 2×3 |
| | | Carrier roller quantities | 2×1 |
| | | Travel shoes | No |
| | | Travel speed | High speed : 4.3km/h, Low speed: 2.3km/h, |
| | | Drawbar pulling force | 14.2kN |
| | | Gradeability | 58%(30°) |
| | | Track shoes thickness | Rubber track 65mm, Steel track: 72mm |
|  Hydraulic System | |  Cab & Electrical System | |
| Pump | TAIFENG Plunger pump | Cab | Sunroof |
| Type | Load sensitive | | |
| Max. discharge flow | 62 (L/min) | | |
| Max. discharge pressure | | | |
| Boom, arm and bucket | 21 MPa | Voltage | 12V |
| Travel circuit | 12 V | Batteries | 1X12V |
| Swing circuit | 12V | Battery capacity | 45Ah |
| Control circuit | 12V | Outer diameter, inner diameter, piston rod diameter | |
| Pilot control pump | 4 MPA | Boom cylinder | Φ90xΦ75xΦ40*S455-L785 |
| Main control valves | 21 Mpa | Arm cylinder | Φ85xΦ70xΦ40*S492-L765 |
| Oil cooler | Air cooled type | Bucket cylinder | Φ75xΦ50xΦ35*S426-L670 |
|  Swing System | |  Refilling Capacity & lubrication | |
| | NACHI | Fuel tank | 32L |



J MAC EXCAVATORS LTD

| | | | |
|------------------|------------------------------------|--------------------|----------|
| Swing motor | PCR-2B-10A-P-8486A | | |
| Swing motor type | Hydraulic driven gear rotary motor | Cooling system | 9L |
| Brake | No | Engine oil | 3.4-4.4L |
| Swing speed | 13.5 r/min | Hydraulic oil tank | 39.5L |



Bucket

| | |
|------------------------|---------------------------|
| Type | Backhoe bucket |
| Bucket capacity | 0.075m ³ (SAE) |
| Bucket Capacity scope | 0.030-0.1m ³ |
| Number of bucket teeth | 4 |
| Bucket width | 460 mm |

Working ranges

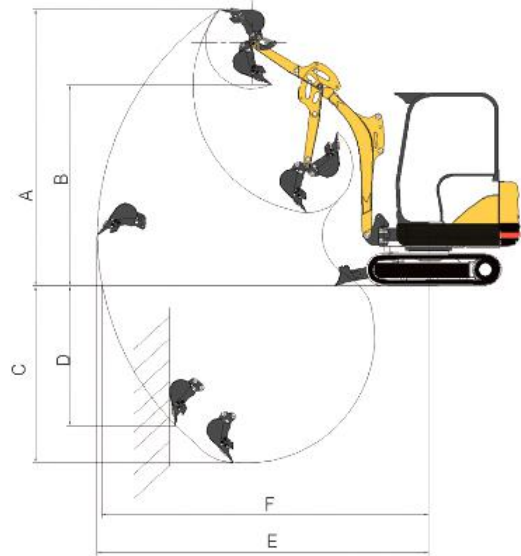
Boom length

| | |
|---------------------------------------|--------|
| | 2150mm |
| A Max. digging height | 3865mm |
| B Max. dumping height | 2760mm |
| C Max. digging depth | 2560mm |
| D Max. vertical digging depth | 2440mm |
| E Max. digging distance | 4375mm |
| F Max. digging radius at ground level | 4275mm |

Digging Force

Arm length

| | |
|------------------------|---------|
| | 1388mm |
| A Bucket digging force | 18.6 KN |
| B Arm digging force | 13.5 KN |

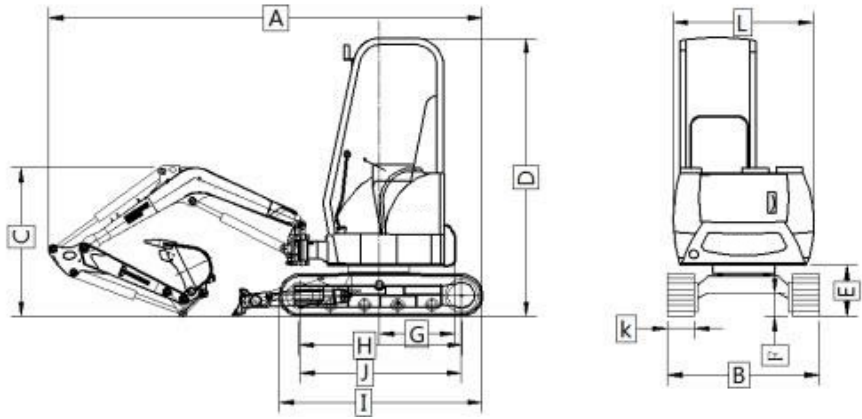


Overall Dimensions

| | | | |
|-----------------------------------|--------|--------------------------|--------|
| A Overall length | 4050mm | G Tail swing radius | 710mm |
| B Overall width | 1540mm | H Track grounding length | 1530mm |
| C Overall height(to top of boom) | 1380mm | I Track length | 1895mm |
| D Overall height(to top of cab) | 2360mm | J Track gauge | 1510mm |
| E Counter weight ground clearance | 485mm | K Track Shoe width | 250mm |
| F Min. Ground clearance | 255mm | L Revolving frame width | 1350mm |



J MAC EXCAVATORS LTD



Operating weight includes basic machine

Operating weight 2870kg

Ground pressure 26.7 KPa



J MAC EXCAVATORS LTD

EXCAVATOR JME28Z

Detail image

